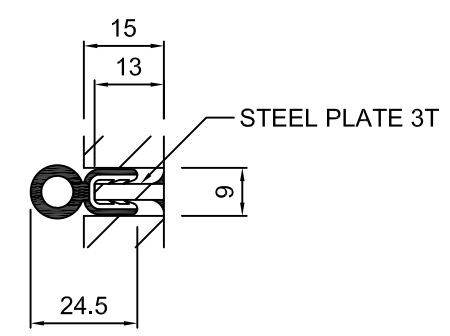


DETAIL "A"



WEATHER STRIP DETAIL
DD6139 (EPDM DENSE)

HEAD DETAIL (DOUBLE DOOR)

3	2	1	REV.NO.	DATE	REVISION DESCRIPTION	DRAWN	CHECK	APPROVED	SIGNATURE	EOM, J.H.	SIN, I.Y.	U, C.H.	BRIAN DUNN	PROJECT	CP TANGO BLAST DOOR IMPROVEMENT WORK	SCALE	N/S
														TITLE	CP TANGO BLAST DOOR IMPROVEMENT WORK HEAD DETAIL (DOUBLE DOOR)		DWG NO.

DIVISION	DRAWN	CHECKED	REVIEWED	APPROVED
----------	-------	---------	----------	----------