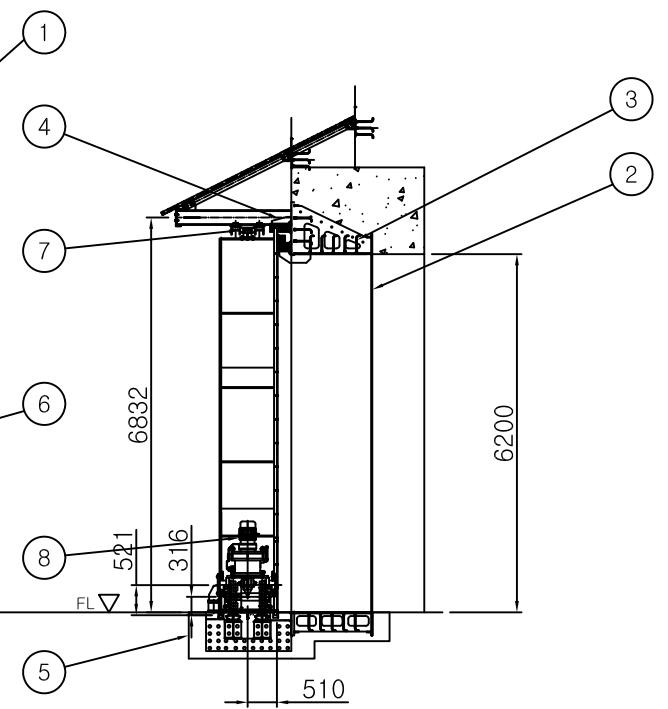
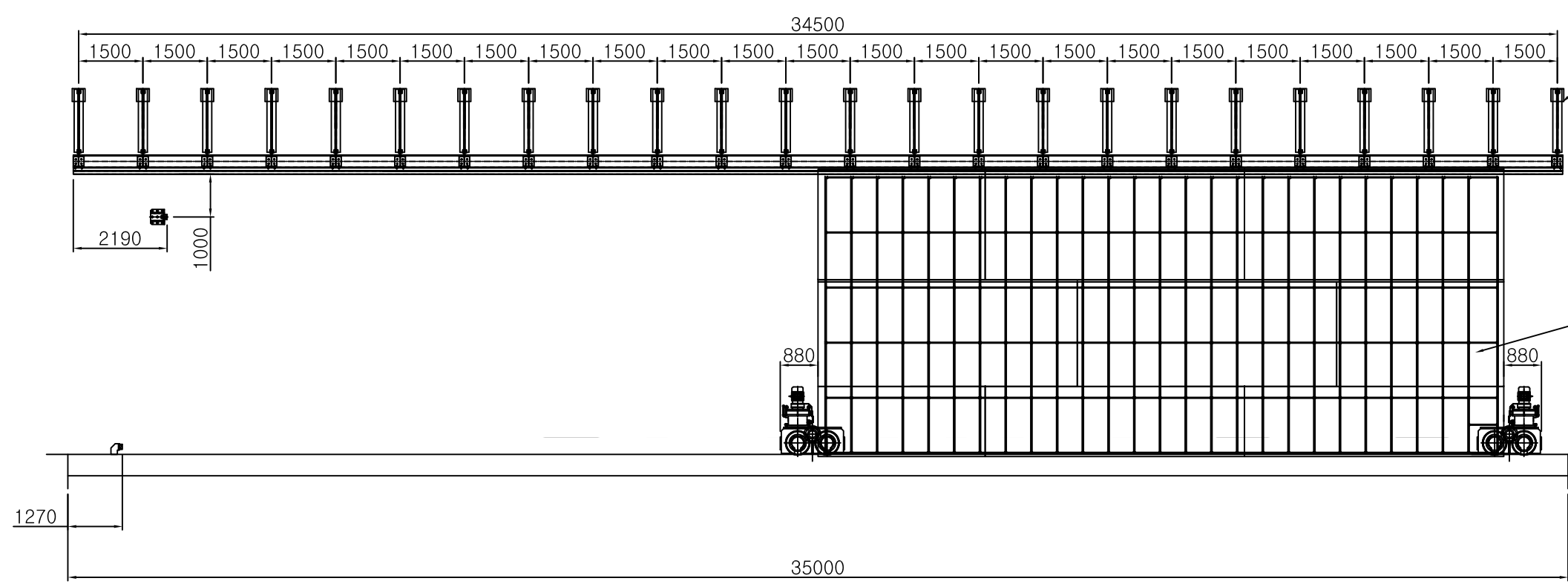
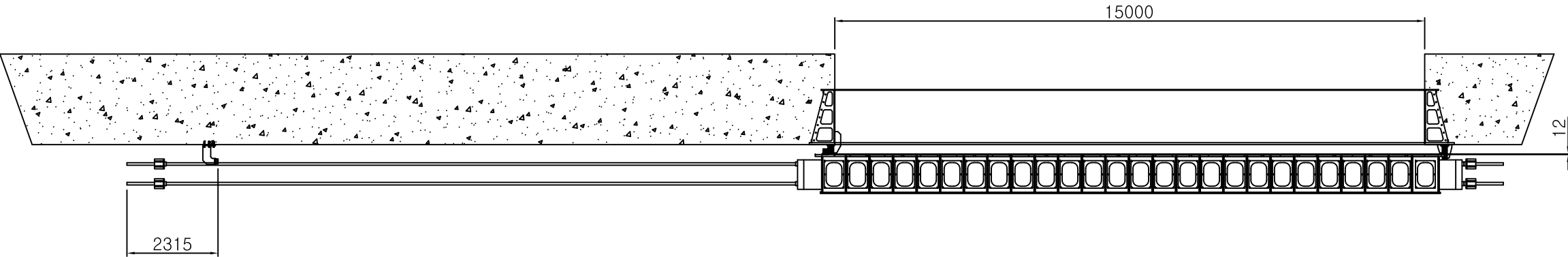
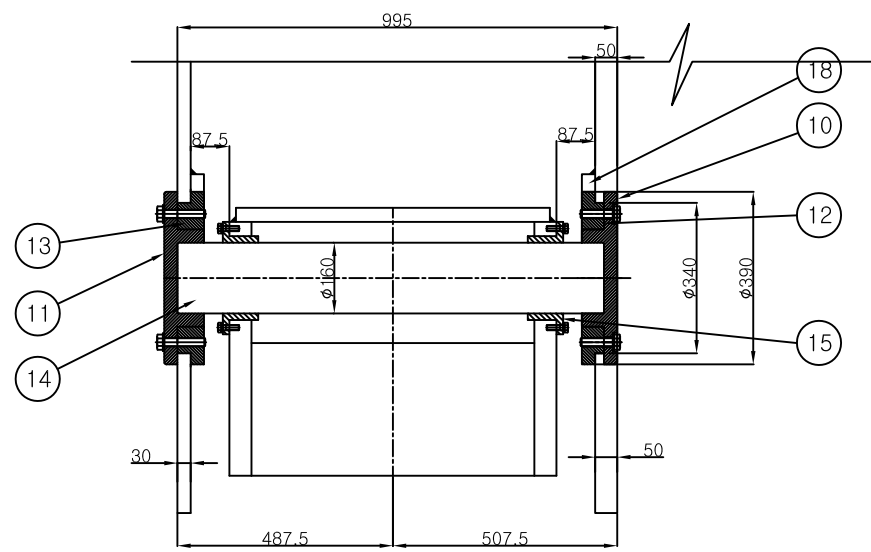


NO.	NAME	MAT'L	Q'TY	REMARKS
1.	방폭 슬라이딩 (15000X6200) 입사압 300PSI	-	-	SH01-HAN-BPD-003
2.	방폭 슬라이딩 프레임 기초도	-	-	SH01-HAN-BPD-007
3.	방폭 슬라이딩 프레임 양카도	-	-	SH01-HAN-BPD-008
4.	방폭 슬라이딩 프레임 RIB 도면	-	-	SH01-HAN-BPD-009
5.	방폭 슬라이딩 하부레일 기초도	-	-	SH01-HAN-BPD-010
6.	방폭 슬라이딩 도어 ASSEMBLY	-	-	SH01-HAN-BPD-012
7.	방폭 슬라이딩 상부 레일 롤러 ASSEMBLY	-	-	SH01-HAN-BPD-100
8.	방폭 슬라이딩 구동 장치 ASSEMBLY	-	-	SH01-HAN-BPD-015



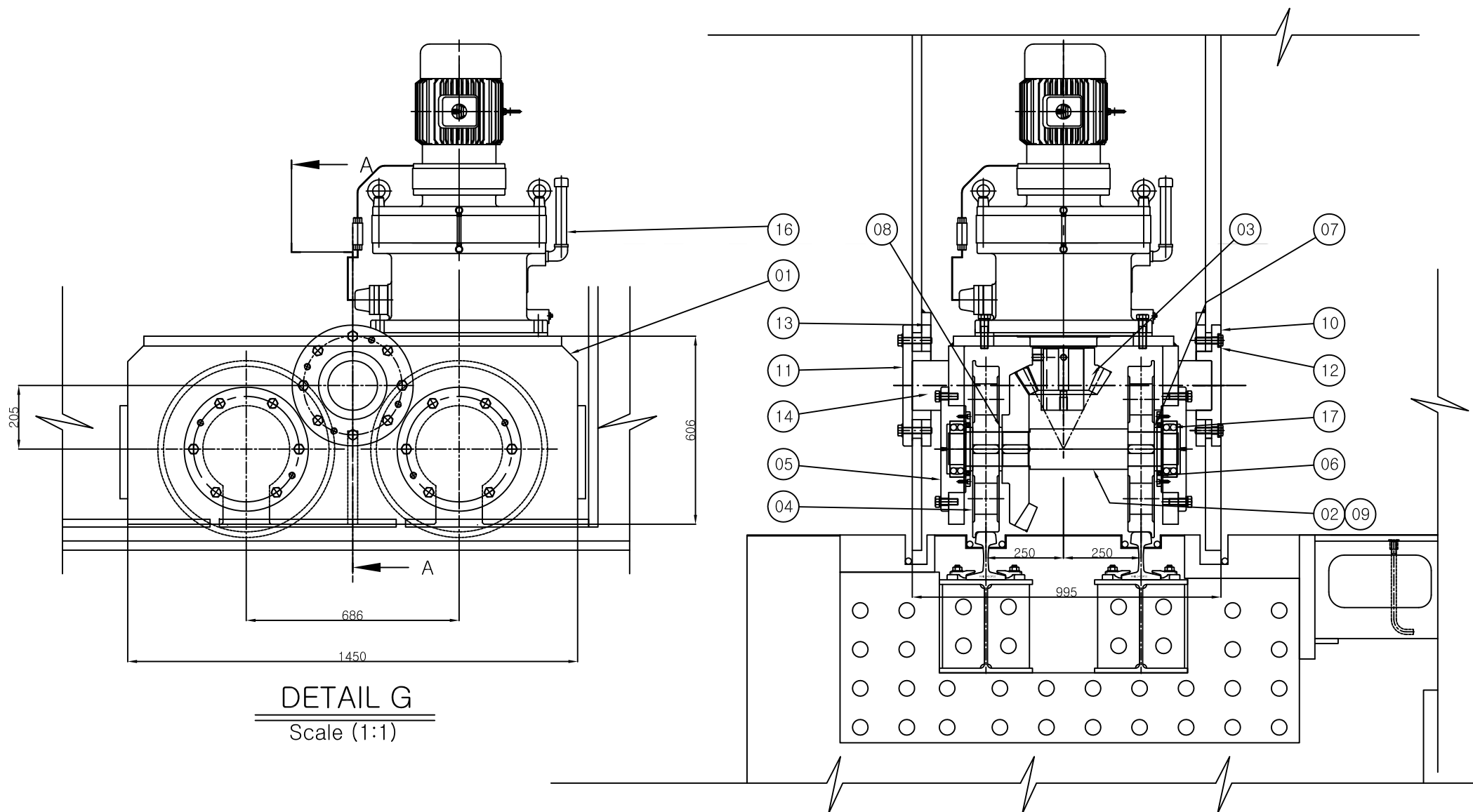
NO.	NAME	MAT'L	Q'TY	REMARKS
<small>SAMHOON CO., LTD. #557-1 Songreok2-Dong, Sosa-Gu, Bucheon City, Gyeonggi Province, Korea TEL: (82)-32-681-3501 FAX: (82)-32-681-3505 http://www.samhoon.com E-Mail: samhoon@chol.net</small>				
PLANT NAME	CLADDING 사업 SITE 확보			
TITLE	방폭 슬라이딩 (15000X6200) 입사압 300PSI ASSEMBLY			
SCALE	DWN BY	DSND BY	SHT NO OF	
UNIT	MM	CHKD BY	APPD BY	
DWN NO	SH01-HAN-BPD-002			REV

REV.NO	DESCRIPTION	DATE	REV.NO	DESCRIPTION	DATE
			△	FOR APPROVAL	
			△		



SECTION A - A

Scale (1:1)



DETAIL G

Scale (1:1)

NO.	NAME	MAT'L	Q'TY	REMARKS
1.	BODY	SS400	2	SH01-HAN-BPD-151
2.	SHAFT	S45C	2	SH01-HAN-BPD-152
3.	BEVEL GEAR	SCM4	2	SH01-HAN-BPD-153
4.	WHEEL	S45C	8	SH01-HAN-BPD-154
5.	BRC' HOUSING	SS400	8	SH01-HAN-BPD-155
6.	COVER	SS400	8	SH01-HAN-BPD-156
7.	COLLAR(1)	S45C	4	SH01-HAN-BPD-157
8.	COLLAR(2)	S45C	2	SH01-HAN-BPD-158
9.	IDLE SHAFT	S45C	2	SH01-HAN-BPD-159
10.	HINGE FLANGE(IN)	SS400	2	SH01-HAN-BPD-160
11.	HINGE FLANGE(OUT)	SS400	2	SH01-HAN-BPD-161
12.	용접 보스 (IN)	SS400	2	SH01-HAN-BPD-162
13.	용접 보스 (OUT)	SS400	2	SH01-HAN-BPD-163
14.	IDLE SHAFT	S45C	2	SH01-HAN-BPD-164
15.	OILLESS BUSING	#500-OILLESS4	4	SH01-HAN-BPD-165
16.	감속기 모터	PUR	2	SH01-HAN-BPD-166 (동신 기업)
17.	BEARING	PUR	8	22220
18.	BRACKET	SS400	4	SH01-HAN-BPD-167

NO.	NAME	MAT'L	Q'TY	REMARKS
<small>SAMHOON CO., LTD. # 257-11 Dongmae2-Dong, Seon-Gu, Bucheon City, Gyeonggi Province, Korea TEL: (82)-32-661-3501 FAX: (82)-32-661-3505 http://www.samhoon.com E-Mail: samhoon@schol.net</small>				
PLANT NAME		CLADDING 사업 SITE 확보		
TITLE		방쪽 슬라이딩 구동 장치 ASSEMBLY		
SCALE	DWN BY	DSND BY	SHT NO OF	
UNIT MM	CHKD BY	APPD BY		
DWN NO	SH01-HAN-BPD-150			REV
				B



FOR APPROVAL

DESCRIPTION

REV.NO	DESCRIPTION	DATE	REV.NO	DATE