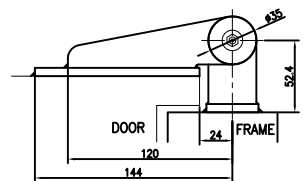
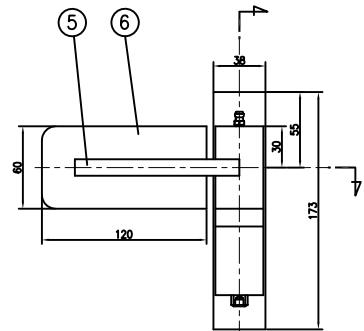
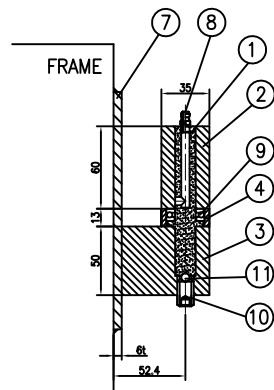


1 HINGE ASSEMBLY

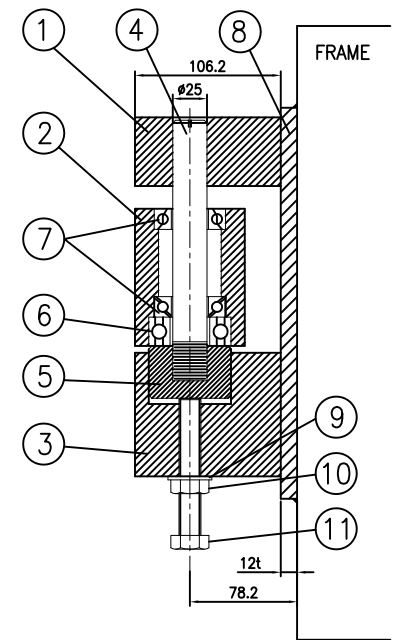
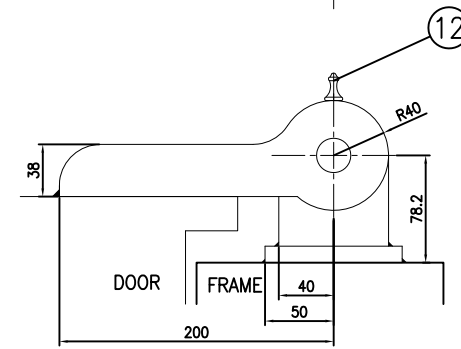
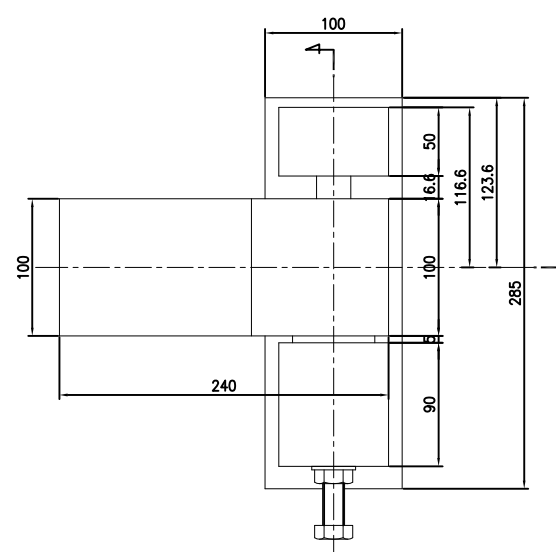
SH08-HINGE-TYPE-A



HINGE ASSEMBLY
SH08-HINGE-TYPE-A

2 HINGE ASSEMBLY

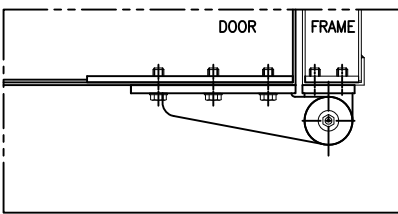
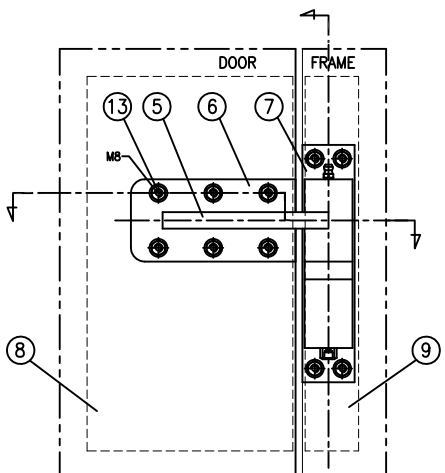
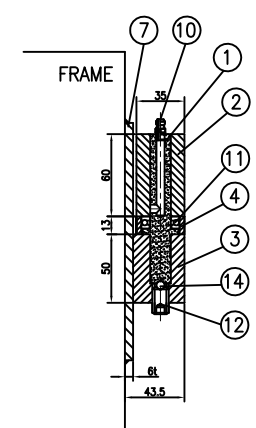
SH08-HINGE-TYPE-B



HINGE ASSEMBLY
SH08-HINGE-TYPE-B

3 HINGE ASSEMBLY

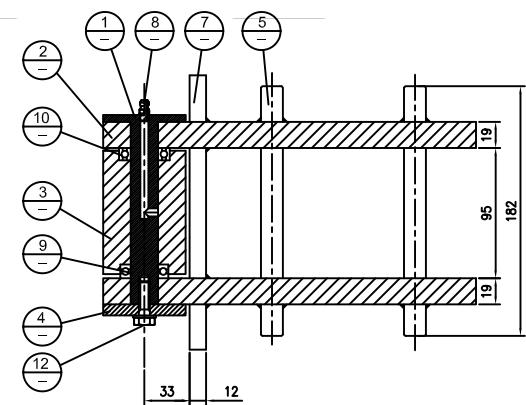
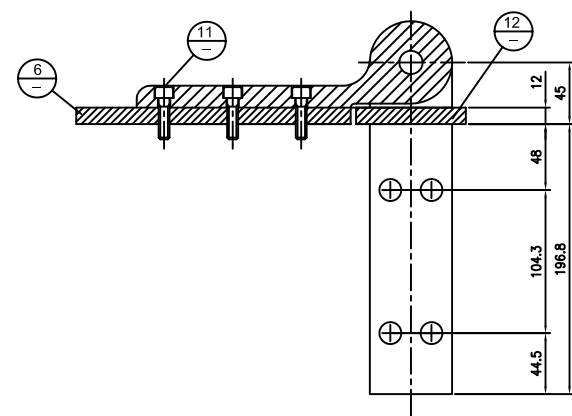
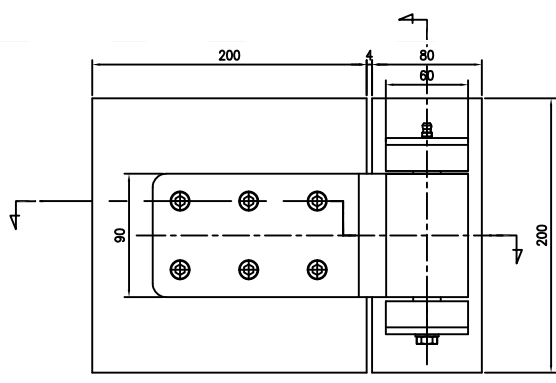
SH08-HINGE-TYPE-C



HINGE ASSEMBLY
SH08-HINGE-TYPE-C

4 HINGE ASSEMBLY

SH08-HINGE-TYPE-D



HINGE ASSEMBLY
SH08-HINGE-TYPE-D

BILL OF MATERIALS

NO.	MK	DESCRIPTION	LENGTH	Q'TY	MAT'L	AREA(m ²)		REMARKS
						UNIT	TOTAL	
		HINGE ASS'Y						

REV.	DATE	DESCRIPTION	PREPARED	REVIEWED	APPROVED	APPROVED

SAMHOON SAMHOON CO., LTD.
 #07-1 Sangpaed-Dong, Seon-Su, Bucheon City, Gyeonggi Province, Korea
 TEL:(82)-32-861-3001/FAX:(82)-32-861-3005
 http://www.samhoon.com E-mail:samhoon@skid.net

CLASS: 0 TITLE: HINGE ASSEMBLY
 SCALE: 1/1
 SIZE: A1
 UNIT: 0 REF. DWG. NO.: REV : 0
 SUPPLIER DWG. NO.: SUPPLIER NAME: **SAMHOON**