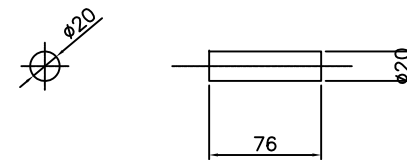
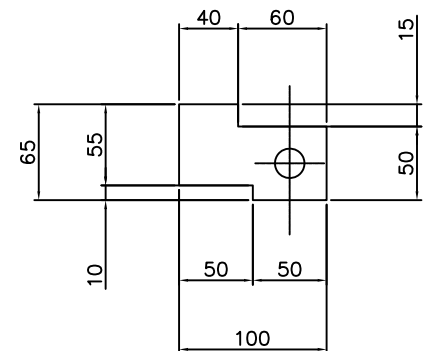
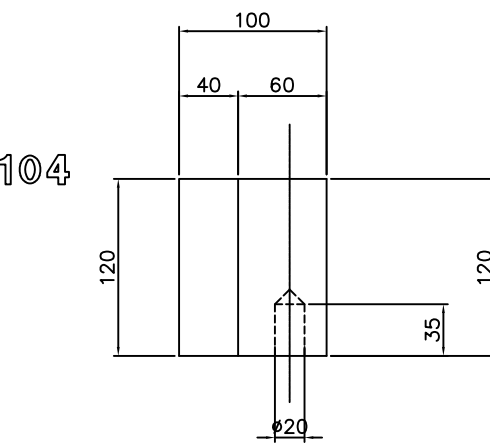


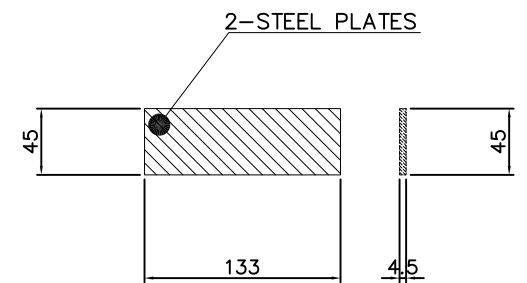
② HINGE BODY-B



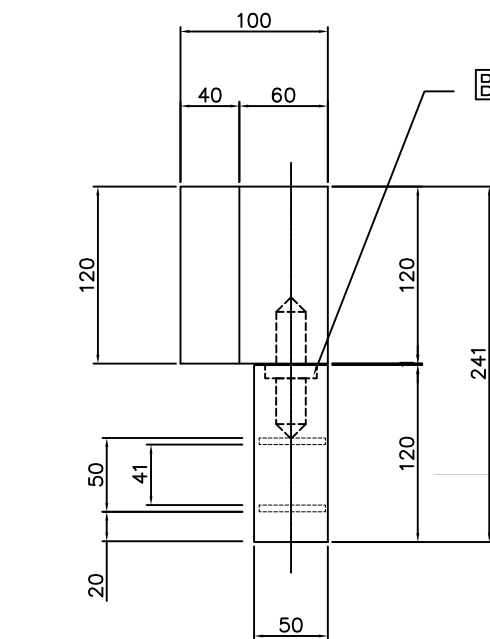
③ HINGE SHAFT



① HINGE BODY-A



④ HINGE REINF PL.



BEARING NO.51104

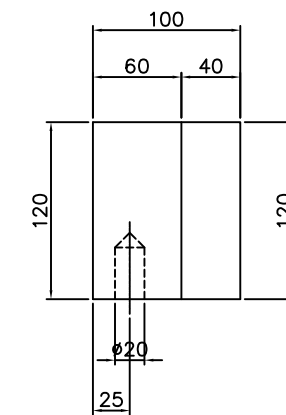
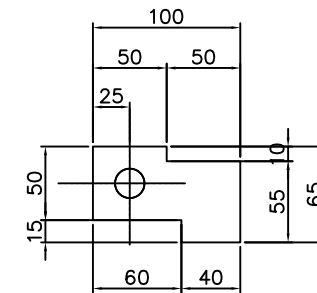
① HINGE ASSEMBLY
RH TYPE

BILL OF MATERIALS

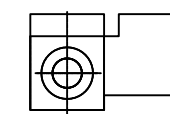
NO.	MK	DESCRIPTION	LENGTH	MAT'L	AREA(m)		REMARKS
					UNIT	TOTAL	
1		HINGE BODY-A	100*65*120		1		SEE NOTE
2		HINGE BODY-B	50*65*120		1		
3		HINGE SHAFT	∅20*76		1		
4		HINGE REINF PL	133*45*4.5		2		
5		BEARING	51104		1		

NOTE

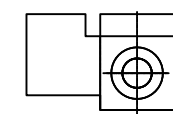
- HINGE IS "RH" TYPE FOR THIS DRAWING.
- HINGE BODY-A FOR "LH" TYPE HINGE IS AS FOLLOWS.



3.HINGE TYPE AS FOLLOWS:



LH TYPE



RH TYPE

4.HINGE SHOULD BE FILLED WITH BEARING OIL GREASE SUFFICIENT BEFORE ITS INSTALLATION.

SAMHOON ENGINEERING CO.,LTD.

SAMHOON

SAMHOON CO., LTD.
#561 Songne-Dong, Sosa-Gu,
Bucheon City, Gyeonggi Drovince, Korea
TEL: (82)-32-661-3501 / FAX: (82)-32-661-3505
http://www.samhoon.com E-Mail: samhoon@samhoon.com

REV	DATE	DESCRIPTION	BY	CHKD	APPRD	REFERENCE DRAWINGS	CAD FILE REF.	SHEET NO.	SCALE
△	24.AUG.22	ISSUED FOR DRAWING	S.H.KIM	J.S.KIM	J.S.M00		ARIFJAN, KUWAIT PROJECT NO.22	SAMHOON- 007	1 : 1

TITLE : UOQ- UNACCOMPANIED OFFICERS QUARTERS
BLAST & FIRE RATE DOOR(75 kPa, 2 hr)

HINGE DETAILS