

KOREA MILITARY ACADEMY

Ballistic Resistance Test Report

P.O. Box 77, Gongeung-Dong,
Nowon-Gu, Seoul, Korea, 139-799
Tel : +82-2-2197-2962
Fax : +82-2-2197-0198
gunin@kma.ac.kr

Sep. 19, 2008

Attention : SAMHOON Co. LTD.

In accordance with your authorization, Korea Military Academy conducted ballistic resistance testing of two samples received September 19, 2008.

Testing was conducted in accordance with the provisions of EN1522 Class FB6, using caliber 7.62×51mm, 9.5g, Ball, M80 ammunition.

The test samples were positioned on an indoor range 10.0 meter from the muzzle of a test barrel to produce zero degree obliquity impacts.

Photoelectric infrared screens were positioned at 2.0 meter and 3.5 meter which, in conjunction with elapsed time counters(chronographs), were used to compute projectile velocities 1.75 meter forward of the muzzle.

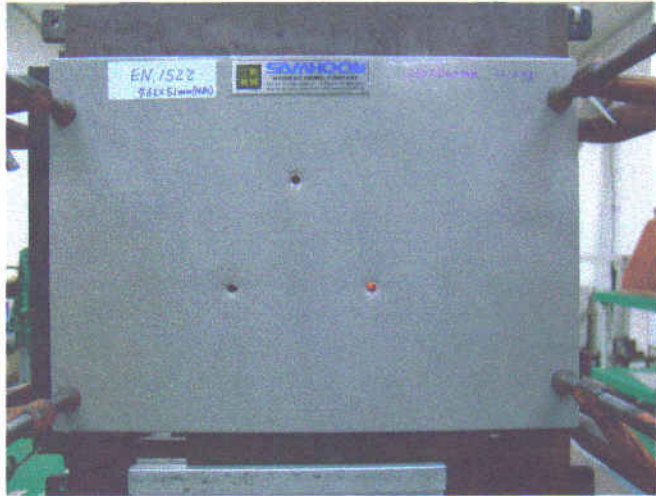
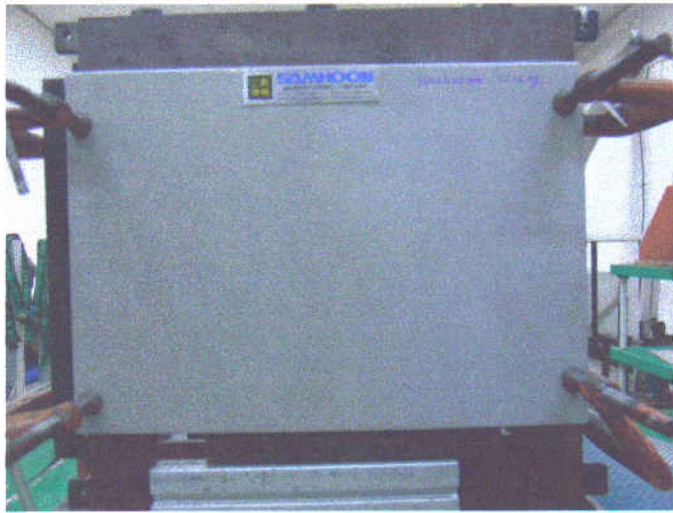
Below table presents a summary of the enclosed data records.

Bullet Resistant Test Sample			Ballistic Threat		Test Results			Note
Sample No.	Weight (kg)	Size(mm)	Caliber	Obliquity (degrees)	Shots No.	Velocity (m/s)	Penetration	
08-909-1	21.16	350x500x44.5t	7.62, M80 (9.5g±1)	0	1	831.58	N	
					2	839.12	N	
					3	833.34	N	
※ Test Standard : EN1522 Class FB6 (Velocity 830±10m/s)								

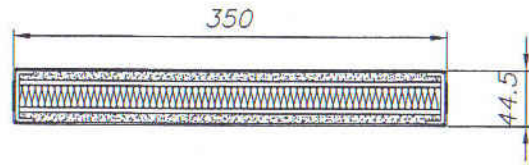
This test report is based on data obtained from having tested only the samples submitted, and should not be interpreted as an endorsement by Korea Military Academy of the continuing quality, or performance, of any items of the same, or similar design.

HWARANG-DAE RESEARCH INSTITUTE
Korea Military Academy

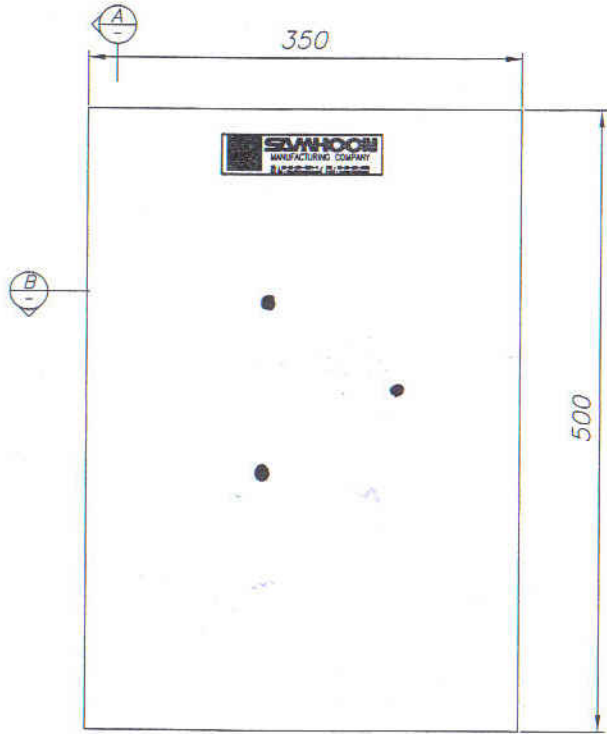




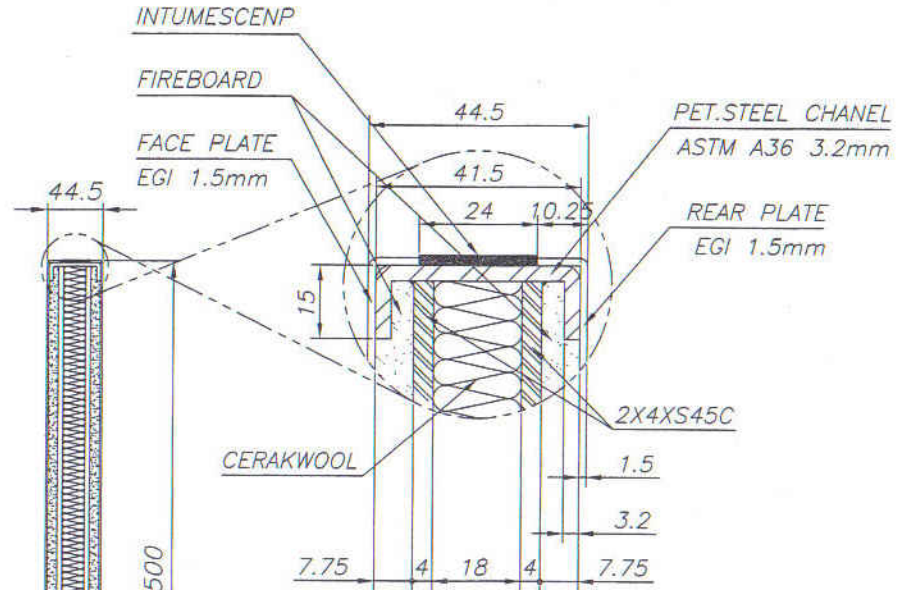
BILL OF MATERIALS								
NO.	MK	DESCRIPTION	LENGTH	Q'TY	MAT'L	AREA(m ²)		REMARKS
						UNIT	TOTAL	



B SECTION



A SECTION



DETAIL
AT SCALE : 4/1

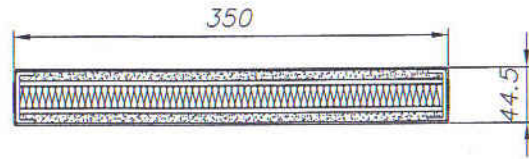
REV.	DATE	DESCRIPTION	PREPARED	REVIEWED	APPROVED	APPROVED

TESTED BY
KOREA MILITARY ACADEMY

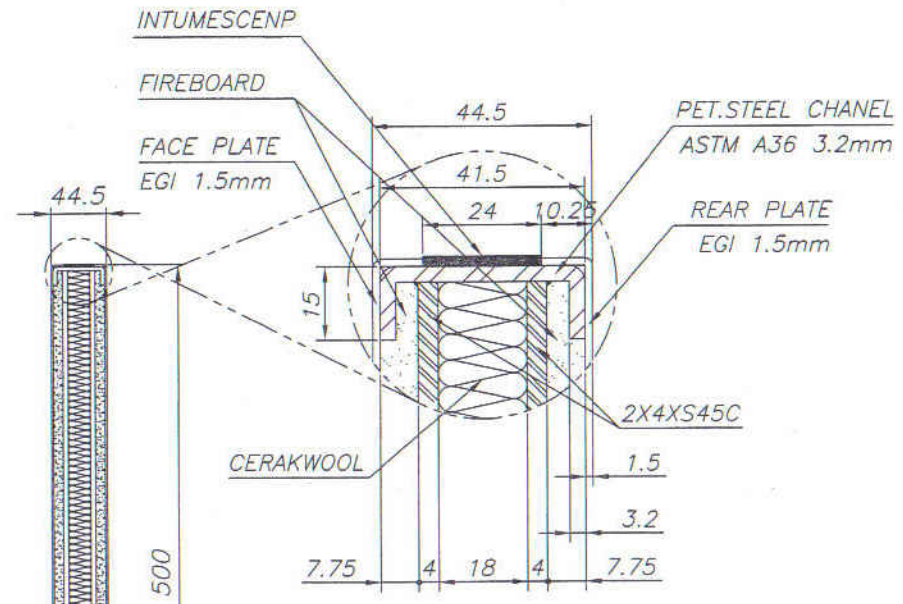
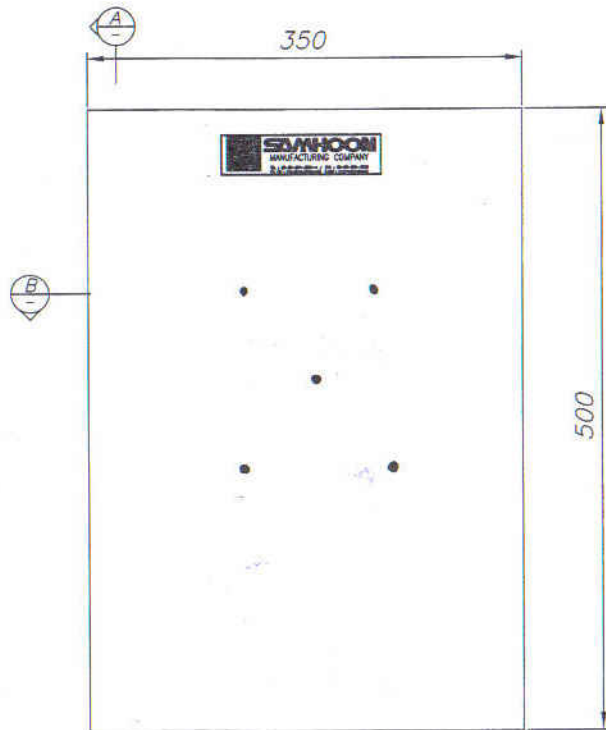
SAMHOON SAMHOON CO., LTD.
 DASH TITLE: BULLET RESISTANT DOOR
 (BULLET RESISTANT TEST SAMPLE)
 SCALE: 1/1 EN 1522 CLASS IBB: 76235
 SIZE: A1
 UNIT: 0 REF. DWG. NO.: REV: 0
 SUPPLIER: **SAMHOON**

BILL OF MATERIALS

NO.	MK	DESCRIPTION	LENGTH	Q'TY	MAT'L	AREA(m ²)		REMARKS
						UNIT	TOTAL	



B SECTION



DETAIL
AT SCALE : 4/1

A SECTION

REV	DATE	DESCRIPTION	PREPARED	CHECKED	APPROVED	APP'D

TESTED BY
KOREA MILITARY ACADEMY

SAMHOON
SAMHOON CO., LTD.
125-11 Sangnam-Dong, Seoul, Korea
P.O. Box 23, Hwanggyang-Myeong, Yongsu-Ku, Seoul, Korea
TEL: 02-340-0700 FAX: 02-340-0701

CLASS	TITLE	
0	BULLET RESISTANT DOOR (BULLET RESISTANT TEST SAMPLE)	
SCALE	UL 752 TYPE 8	
1/1	PAGE	1 OF 1
SIZE	DWG. NO.	
A1		
DATE	REV. ENG. NO.	REV : 0
0		
SUPPLIER ENG. NO.	SUPPLIER NAME SAMHOON	