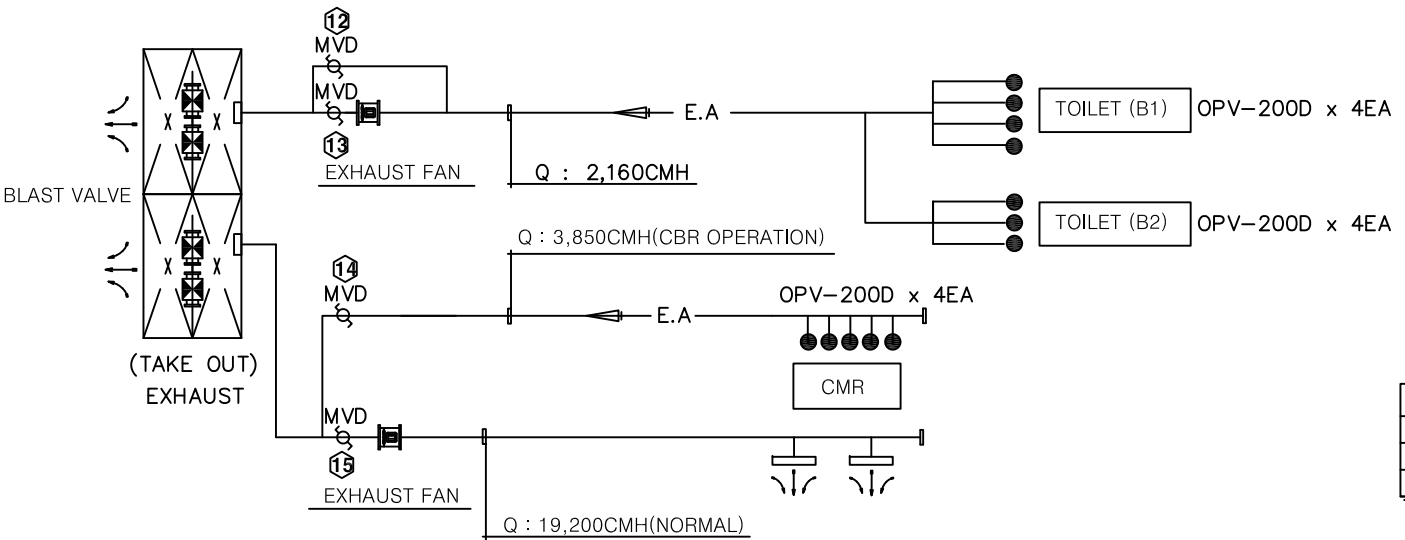
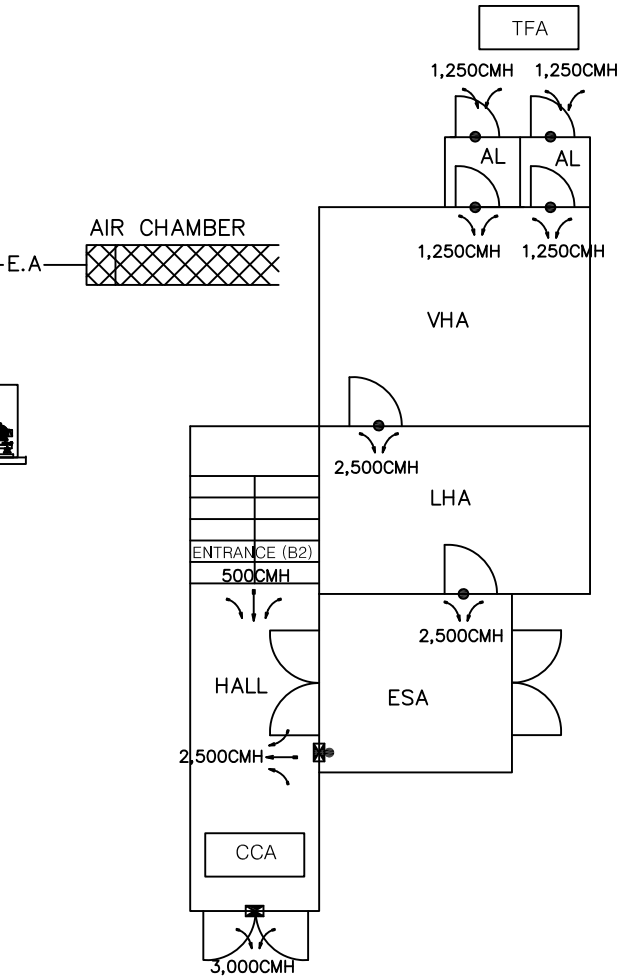


AIR SUPPLY OF CBR WARFARE EQUIPMENT



AIR EXHAUST OF CBR EQUIPMENT



AIR EXHAUST OF C. C. EQUIPMENT

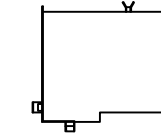
■ EXHAUST VOLUME OF PRESSURE CONTROL VALVE ■

NAME	EXHAUST VOLUME (CMH)	NAME	EXHAUST VOLUME (CMH)
CMR	3,850 CMH	EXIT	800 CMH
C.C.A	2,500 CMH	ENTRANCE (B2)	500 CMH
TOILET	2,160 CMH	RESERVE LEAKAGE	300 CMH

■ VALVE OPERATING TABLE IN WARTIME ■

SECTION	OPENING DAMPER	CLOSING DAMPER	REMARKS
NOMAL	①②③④⑤⑥⑦⑧⑨⑩⑪⑫⑬⑭	④⑤⑥⑦⑧⑨⑩⑪⑫⑬⑭	
WARTIME	④⑤⑥⑦⑧⑨⑩⑪⑫⑬⑭	①②③④⑤⑥⑦⑧⑨⑩⑪⑫⑬⑭⑮⑯⑰	SPARE

KEY PLAN



NOTE.

AL	Airlock
CB	Change booth
CS	Cutting Station
LHA	Liquid Hazard Area
TFA	Toxic Free Area
VHA	Vapor Hazard Area
ESA	Equipment Storage Area
CCA	Contamination Control Area
CMR	Clean Mechanical Room
DMR	Dirty Mechanical Room

REV.	DATE	DESCRIPTION	PREPARED	REVIEWED	APPROVED	APPROVED

**S .R.ASHOK & ASSOCIATES.**  
B-71, Sarvodaya Enclave, New Delhi-110017, India



CLASS	TITLE	
0	NBC SHELTER SYSTEM	
SCALE	CBR WARFARE EQUIPMENT FRONT VIEW	
N.T.S	PNS :	
SIZE	DWG. NO. :	
A1		
UNIT	REF. DWG. NO. :	REV : 0
0		
SUPPLIER DWG. NO. :	SUPPLIER NAME :	
	SAMHOON-001	
	SAMHOON	